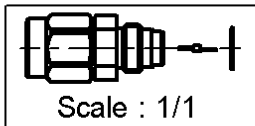
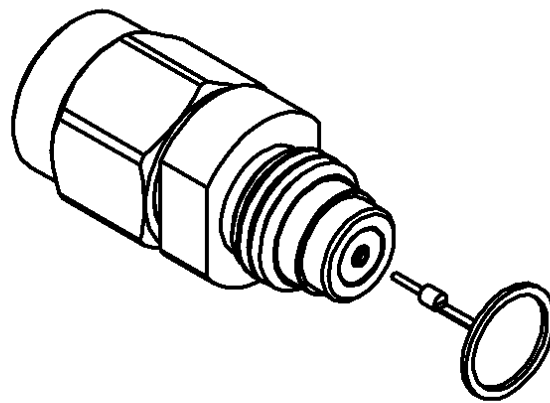
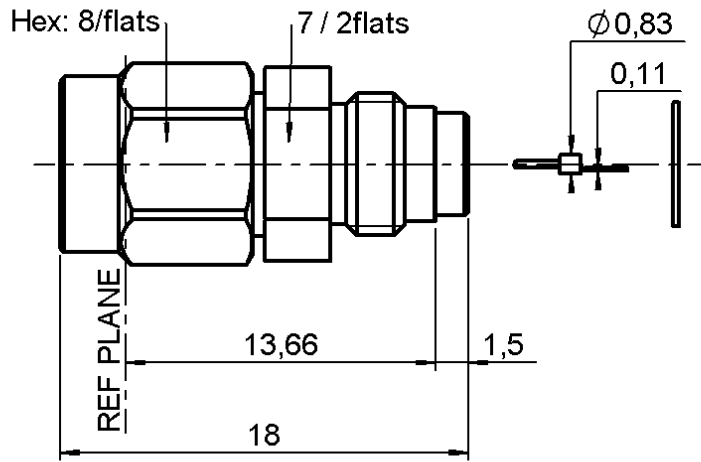


SCREW MALE RECEPTACLE
HERMETIC - WITH AUXILLIARY CONTACT

R125.635.561

Series : SMA



All dimensions are in mm.



COMPONENTS	MATERIALS	PLATINGS (µm)
BODY	STAINLESS STEEL	PASSIVATED .
CENTER CONTACT	BERYLLIUM COPPER	GOLD 2.5 OVER COPPER 2.5
OUTER CONTACT	-	-
INSULATOR	PTFE	-
GASKET	SILICONE RUBBER	-
OTHERS PARTS	STAINLESS STEEL	PASSIVATED .
-	-	-
-	-	-

Issue : 0223 C

In the effort to improve our products, we reserve the right to make changes judged to be necessary.



SCREW MALE RECEPTACLE

R125.635.561

HERMETIC - WITH AUXILLIARY CONTACT

Series : SMA

PACKAGING

SPECIFICATION

Standard	Unit	Other
1	-	Contact us

ELECTRICAL CHARACTERISTICS

Impedance		50 Ω
Frequency		0-18 GHz
VSWR	1.10 * +	0.010 x F(GHz) Maxi
Insertion loss		0.3* √F(GHz) dB Maxi
RF leakage	- (NA - F(GHz)) dB mini
Voltage rating		500 Veff Maxi
Dielectric withstanding voltage		1000 Veff mini
Insulation resistance		5000 MΩ mini

ENVIRONMENTAL

Operating temperature	-40/+100 ° C
Hermetic seal	10-5 Atm.cm ³ /s
Panel leakage	NA

OTHERS CHARACTERISTICS

Assembly instruction

Others :

* Coaxial Transmission Line Only

MECHANICAL CHARACTERISTICS

Center contact retention		
Axial force – Mating end		15 N mini
Axial force – Opposite end		15 N mini
Torque		NA N.cm mini
Recommended torque		
Mating		110 N.cm
Panel nut		100 N.cm
Mating life		500 Cycles mini
Weight		3.934 g

Issue : 0223 C

In the effort to improve our products, we reserve the right to make changes judged to be necessary.

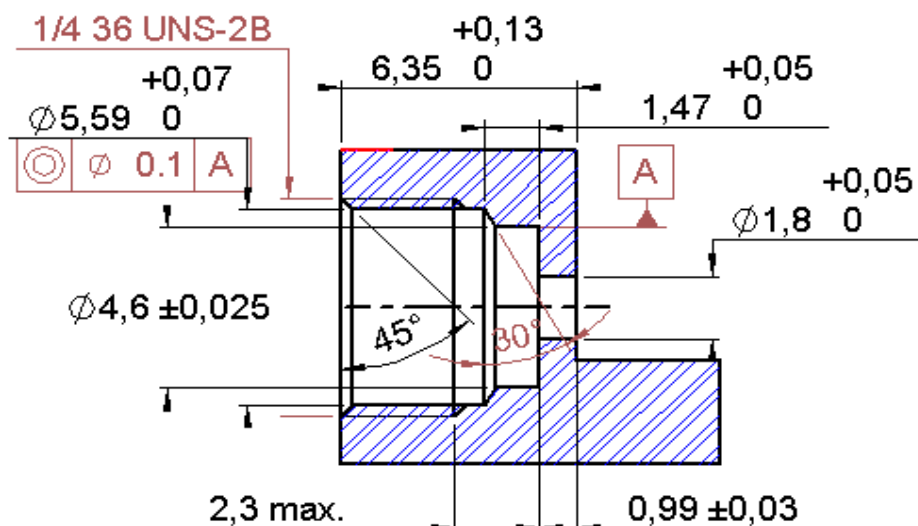


SCREW MALE RECEPTACLE
HERMETIC - WITH AUXILLIARY CONTACT

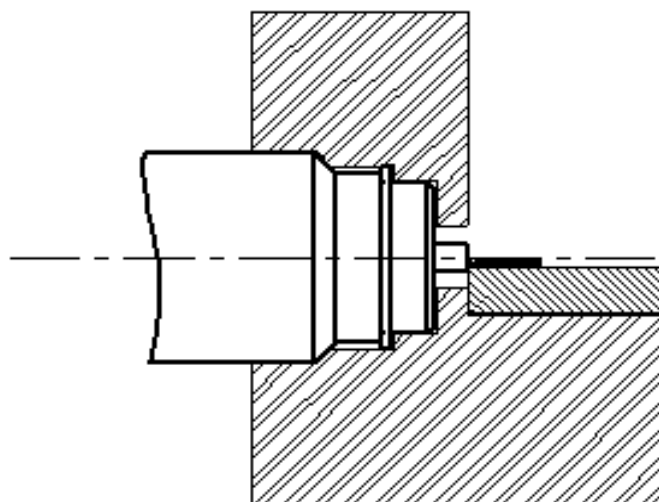
R125.635.561

Series : SMA

PANEL DRILLING



RECOMMENDED MOUNTING HOLE DETAIL



Assemble metal gasket onto connector. Screw both parts into the housing.
 Tighten the connector up to 280 Ncm +or- 10 Ncm (use special tooling see connector TDS) .

Issue : 0223 C

In the effort to improve our products, we reserve the right to make changes judged to be necessary.

